

DISCLAIMER OF WARRANTY AND LIMITATION OF LIABILITY

Due to the intended use of high performance products, ID Designs and each part thereof, are sold "AS IS" and with all faults. To the fullest extent allowed by law, ID Designs makes NO written, oral, expressed, or implied statement of warranty or guarantee on any product or part sold. ID Designs will not be liable for any direct, indirect, incidental, consequential, or special damages, including but not limited to, damage, injury, loss of life, loss of property or equipment, loss of profits or revenue, or claims from any individual or entity arising from the use of any ID Designs product.

RACING IS A DANGEROUS ACTIVITY AND PURCHASERS OF ID DESIGNS PRODUCTS ACKNOWLEDGE THE INHERENT RISKS ASSOCIATED. ID DESIGNS MAKES NO REPRESENTATIONS THAT ITS PRODUCTS CAN REDUCE OR ELIMINATE ANY SUCH RISK. ID DESIGNS products are NOT FOR STREET, HIGHWAY, OR AIRCRAFT USE and are intended ONLY for race vehicles operated on race tracks with appropriate supervision of qualified technicians or mechanics to ensure that the safety needs of the race driver and others are met. ID Designs products could be combined with other products or parts which may not be suitable and could adversely affect performance of other race parts or the vehicle. The user shall determine the ultimate suitability and safety of the product for its intended use, and the user assumes all responsibility and risk in connection therewith.

**ID DESIGNS
DOUBLE SHEAR
SUPPORT BRACKET**

ID DESIGNS

2485 CORAL ST. UNIT A
VISTA, CA 92081
PH.760.727.9900
E MAIL INFO@IDDESIGNS.NET

TITLE:
**DC POWER ENGINEERING
270 AMP ALTERNATOR**

PROPRIETARY AND CONFIDENTIAL
THE INFORMATION CONTAINED IN THIS
DRAWING IS THE SOLE PROPERTY OF
ID DESIGNS. ANY REPRODUCTION OF
THIS DRAWING OR ANY PART THEREOF
WITHOUT THE WRITTEN PERMISSION OF ID DESIGNS
IS PROHIBITED.

SIZE	PART NO.	REV
SCALE: 1:1	WEIGHT:	SHEET 1 OF 2

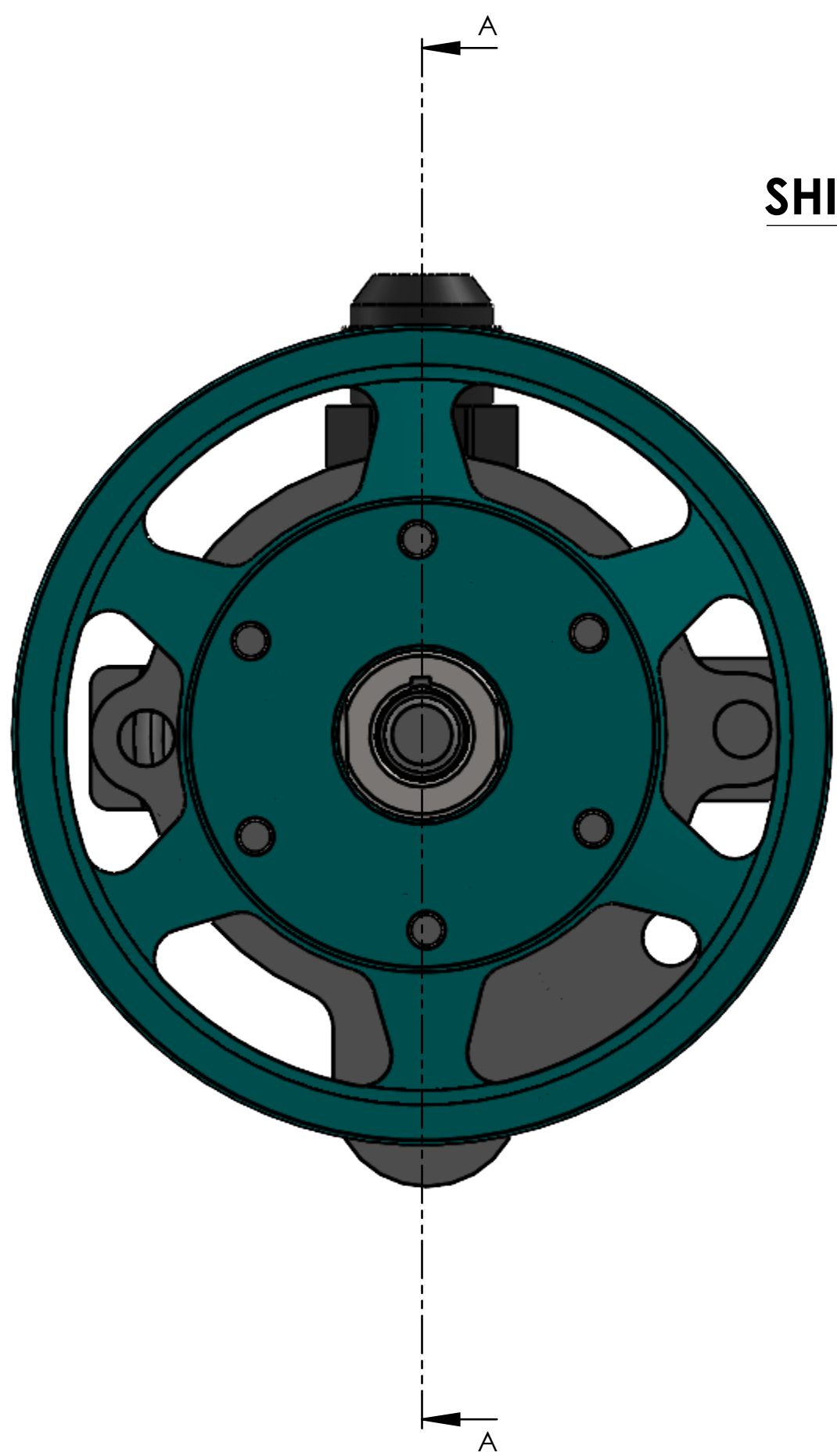
DC 40R-270-XP AND PS PUMP DIMENSIONS

4

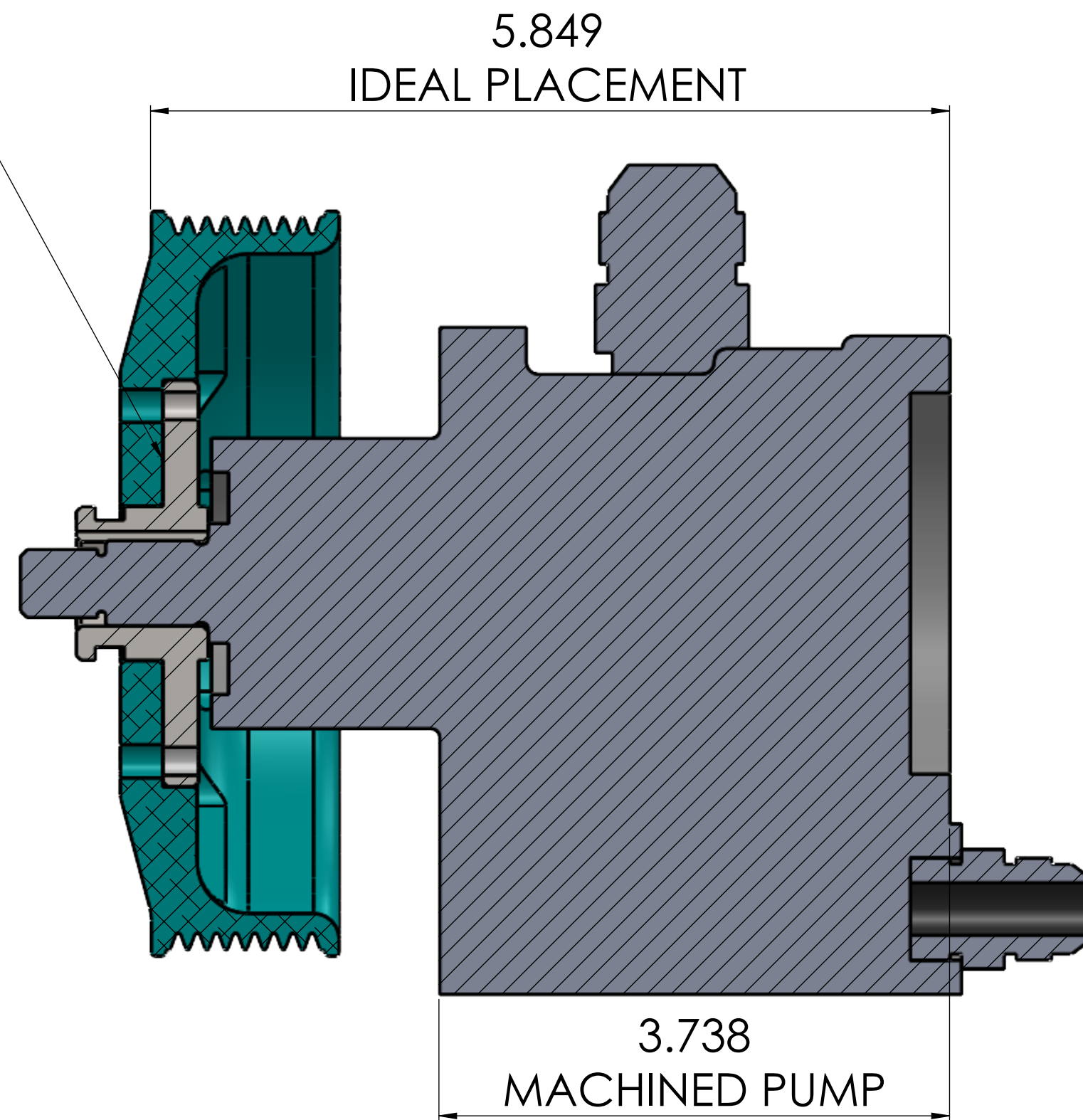
3

2

1



SHIMS MAY BE NECESSARY



SECTION A-A

DISCLAIMER OF WARRANTY AND LIMITATION OF LIABILITY

Due to the intended use of high performance products, ID Designs and each part thereof, are sold "AS IS" and with all faults. To the fullest extent allowed by law, ID Designs makes NO written, oral, expressed, or implied statement of warranty or guarantee on any product or part sold. ID Designs will not be liable for any direct, indirect, incidental, consequential, or special damages, including but not limited to, damage, injury, loss of life, loss of property or equipment, loss of profits or revenue, or claims from any individual or entity arising from the use of any ID Designs product.

RACING IS A DANGEROUS ACTIVITY AND PURCHASERS OF ID DESIGNS PRODUCTS ACKNOWLEDGE THE INHERENT RISKS ASSOCIATED. ID DESIGNS MAKES NO REPRESENTATIONS THAT ITS PRODUCTS CAN REDUCE OR ELIMINATE ANY SUCH RISK. ID DESIGNS products are NOT FOR STREET, HIGHWAY, OR AIRCRAFT USE and are intended ONLY for race vehicles operated on race tracks with appropriate supervision of qualified technicians or mechanics to ensure that the safety needs of the race driver and others are met. ID Designs products could be combined with other products or parts which may not be suitable and could adversely affect performance of other race parts or the vehicle. The user shall determine the ultimate suitability and safety of the product for its intended use, and the user assumes all responsibility and risk in connection therewith.

ID DESIGNS

2485 CORAL ST. UNIT A
VISTA, CA 92081

PH.760.727.9900

E MAIL INFO@IDDESIGNS.NET

TITLE:

PROPRIETARY AND CONFIDENTIAL
THE INFORMATION CONTAINED IN THIS DRAWING IS THE SOLE PROPERTY OF ID DESIGNS. ANY REPRODUCTION OF THIS DRAWING OR ANY PART OR AS A WHOLE WITHOUT THE WRITTEN PERMISSION OF ID DESIGNS IS PROHIBITED.

SIZE | PART NO. | REV

SCALE: 1:1 | WEIGHT: | SHEET 2 OF 2

DC40R-270-XP AND PS PUMP DIMENSIONS

4

3

2

1