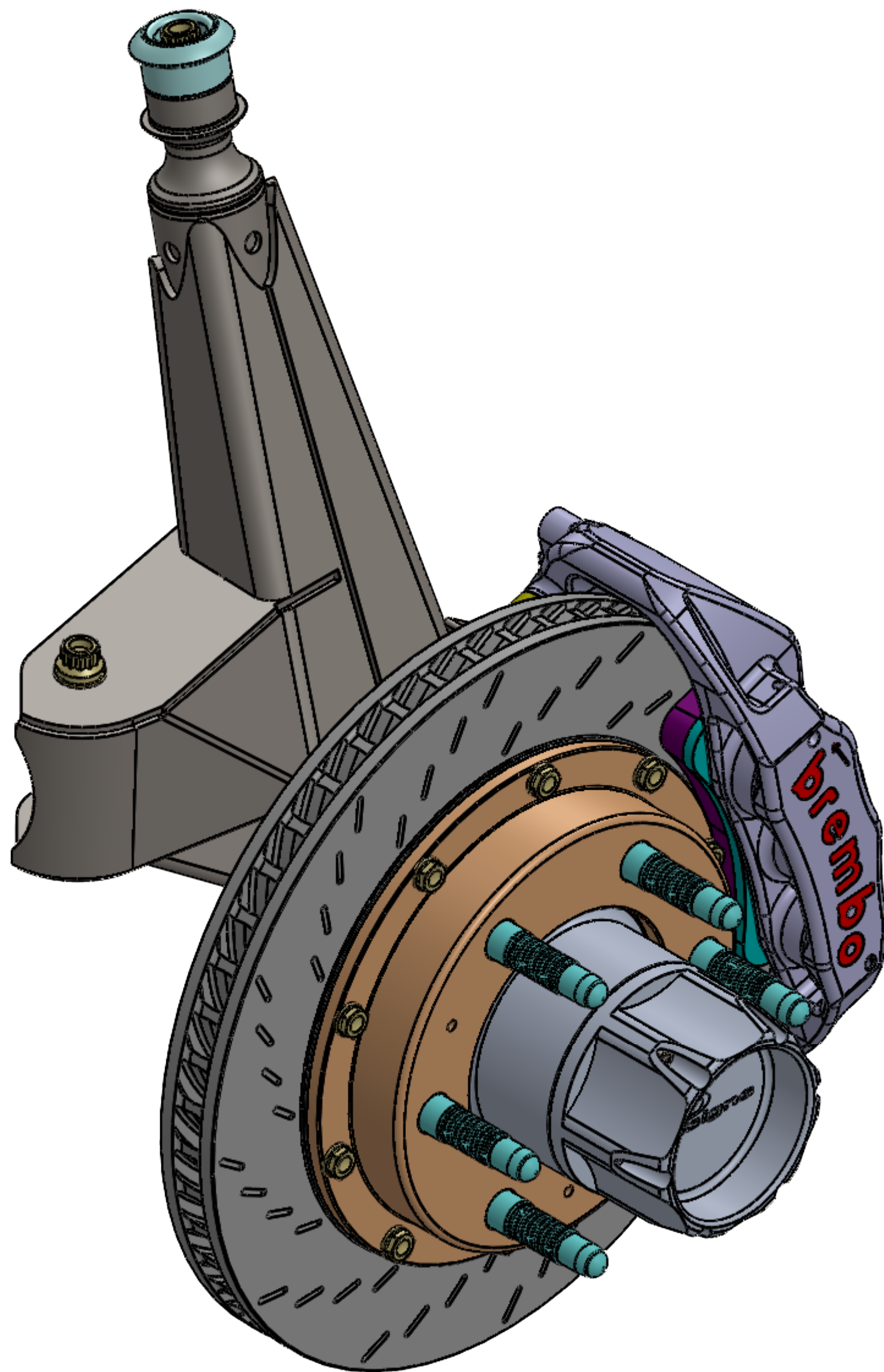


4

3

2

1



DISCLAIMER OF WARRANTY AND LIMITATION OF LIABILITY

Due to the intended use of high performance products, ID Designs and each part thereof, are sold "AS IS" and with all faults. To the fullest extent allowed by law, ID Designs makes NO written, oral, expressed, or implied statement of warranty or guarantee on any product or part sold. ID Designs will not be liable for any direct, indirect, incidental, consequential, or special damages, including but not limited to, damage, injury, loss of life, loss of property or equipment, loss of profits or revenue, or claims from any individual or entity arising from the use of any ID Designs product.

RACING IS A DANGEROUS ACTIVITY AND PURCHASERS OF ID DESIGNS PRODUCTS ACKNOWLEDGE THE INHERENT RISKS ASSOCIATED. ID DESIGNS MAKES NO REPRESENTATIONS THAT ITS PRODUCTS CAN REDUCE OR ELIMINATE ANY SUCH RISK. ID DESIGNS products are NOT FOR STREET, HIGHWAY, OR AIRCRAFT USE and are intended ONLY for race vehicles operated on race tracks with appropriate supervision of qualified technicians or mechanics to ensure that the safety needs of the race driver and others are met. ID Designs products could be combined with other products or parts which may not be suitable and could adversely affect performance of other race parts or the vehicle. The user shall determine the ultimate suitability and safety of the product for its intended use, and the user assumes all responsibility and risk in connection therewith.

PROPRIETARY AND CONFIDENTIAL
 THE INFORMATION CONTAINED IN THIS DRAWING IS THE SOLE PROPERTY OF ID DESIGNS. ANY REPRODUCTION IN PART OR AS A WHOLE WITHOUT THE WRITTEN PERMISSION OF ID DESIGNS IS PROHIBITED.

ID DESIGNS
 43095 BLACK DEER LOOP
 TEMECULA, CA 92590
 PH.760.727.9900
 E MAIL INFO@IDDESIGNS.NET
 TITLE:
**GEISER GEN 1 TROPHY
 TRUCK UPRIGHT AND HUB
 ASSEMBLY**

SIZE	PART NO.	REV
C		
SCALE: 1:2	WEIGHT:	SHEET 1 OF 2

4

3

2

1

D

D

C

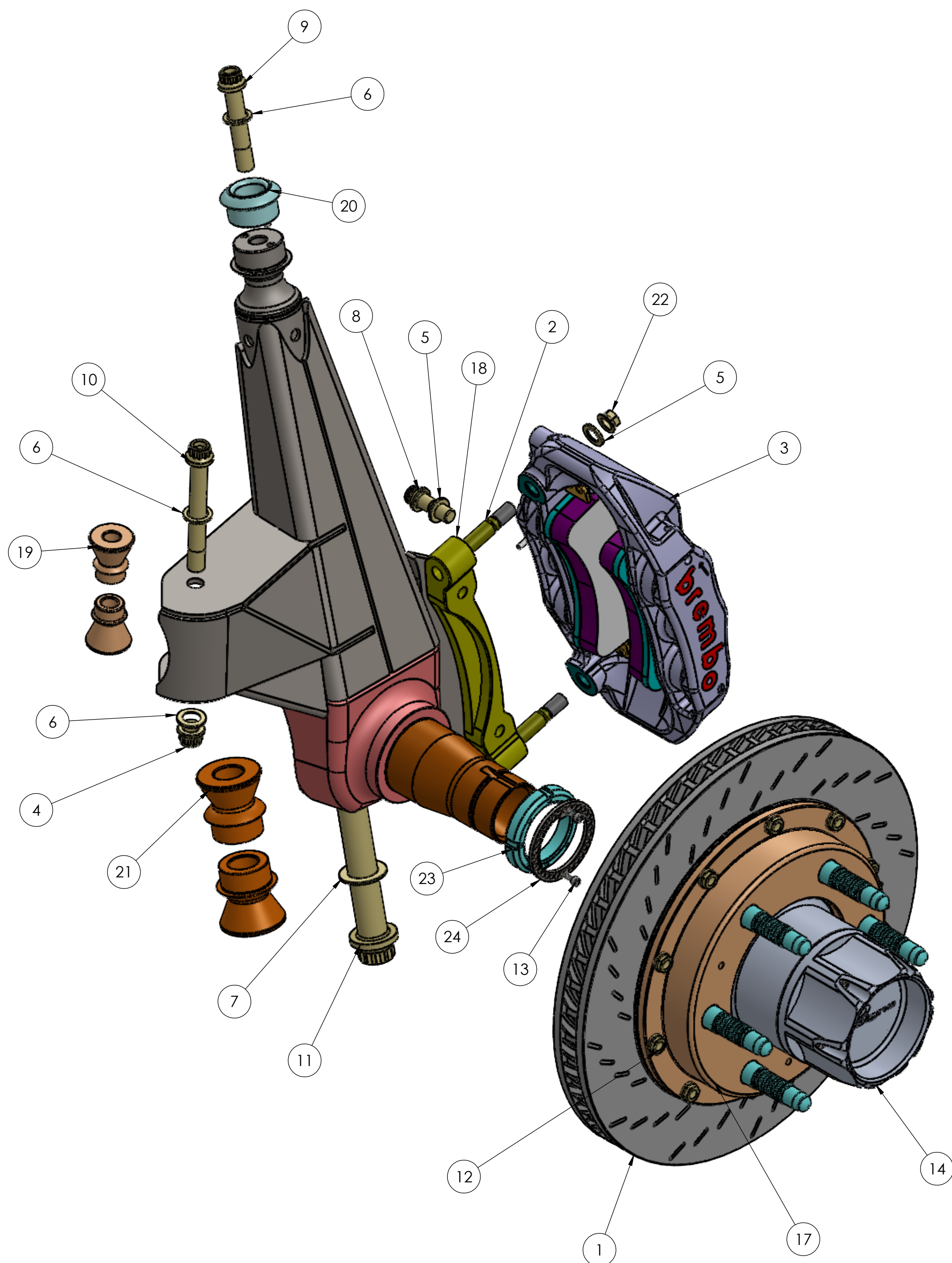
C

B

B

A

A



ITEM NO.	PART NUMBER	DESCRIPTION	QTY.
1	BREMBO 09A0261323	ROTOR,IRON, 355MM X 32MM, 10 BOLT, 233MM PATTERN	1
2	BREMBO 80080C	CALIPER MOUNTING STUD, 12MM, 7/16-20 BOTH ENDS	2
3	BREMBO XA5C201.2	6 PISTON CALIPER. MONO BLOCK, 28,30,38	1
4	H93-08	H93-08, 12 PT NUT	1
5	HRD MS20002C7	MS COUNTERSUNK WASHER 7/16	4
6	HRD MS20002C8	MS COUNTERSUNK WASHER 1/2	3
7	HRD MS20002C14	MS COUNTERSUNK WASHER 7/8	1
8	HRD MS21250 07008 DH	.4375-20 X 0.500 GRIP MS21250-07008	2
9	HRD MS21250 08032	.500-20 X 2.000 GRIP MS21250-08032	1
10	HRD MS21250 08052	.500-20 X 3.250 GRIP MS21250-08052	1
11	HRD MS21250 14076	.875-14 X 4.750 GRIP MS21250-14076	1
12	HRD RMK 5-24-10	ROTOR MOUNT KIT, BRAKE HAT TO ROTOR, .625 GRIP	1
13	HRD SHCS 08-32-06 ZAS	SHCS 08-32 X 3/8 LONG, ZINC PLATED, ALLOY STEEL, 90128A192	2
14	IDD 01-4100	ID GEISER REPLACEMENT FRONT TT HUB	1
15	IDD 01-5004		1
17	IDD 06-1006	BRAKE HAT, 6 ON 6.5, 1.1 DEEP, 10 on 10.1 BREMBO PATTERN	1
18	IDD 06-2002	CALIPER ADAPTER, 210MM TO 6 IN CNC PATTERN	1
19	IDD 14-1408-2.875	SPHERICAL SPACER, 14 BALL, 1/2 BOLT, 2.875 WIDE POCKET	2
20	IDD 14-2408 CAP-A	UPRIGHT PIN, CAP ASSEMBLY, 24 BALL, 1/2 BOLT, 3/16 DOWEL PINS	1
21	IDD 14-2414-4.0	SPHERICAL SPACER, 24 BALL, 7/8 BOLT, 4.00 WIDE POCKET	2
22	MS21042-NAS1291	7/16-20 JET NUT	2
23	SPINDLE LOCK NUT N10	SPINDLE LOCK NUT N10, RIGHT HAND THREAD	1
24	SPINDLE LOCK WASHER 10	SPINDLE LOCK WASHER 10	1

ID DESIGNS

43095 BLACK DEER LOOP
TEMECULA, CA 92590

PH.760.727.9900
E MAIL INFO@IDDESIGNS.NET

TITLE:
GEISER GEN 1 TROPHY
TRUCK UPRIGHT AND HUB
ASSEMBLY

PROPRIETARY AND CONFIDENTIAL
THE INFORMATION CONTAINED IN THIS DRAWING IS THE SOLE PROPERTY OF ID DESIGNS. ANY REPRODUCTION IN PART OR AS A WHOLE WITHOUT THE WRITTEN PERMISSION OF ID DESIGNS IS PROHIBITED.

SIZE PART NO. REV

C

SCALE: 1:10 WEIGHT: SHEET 2 OF 2