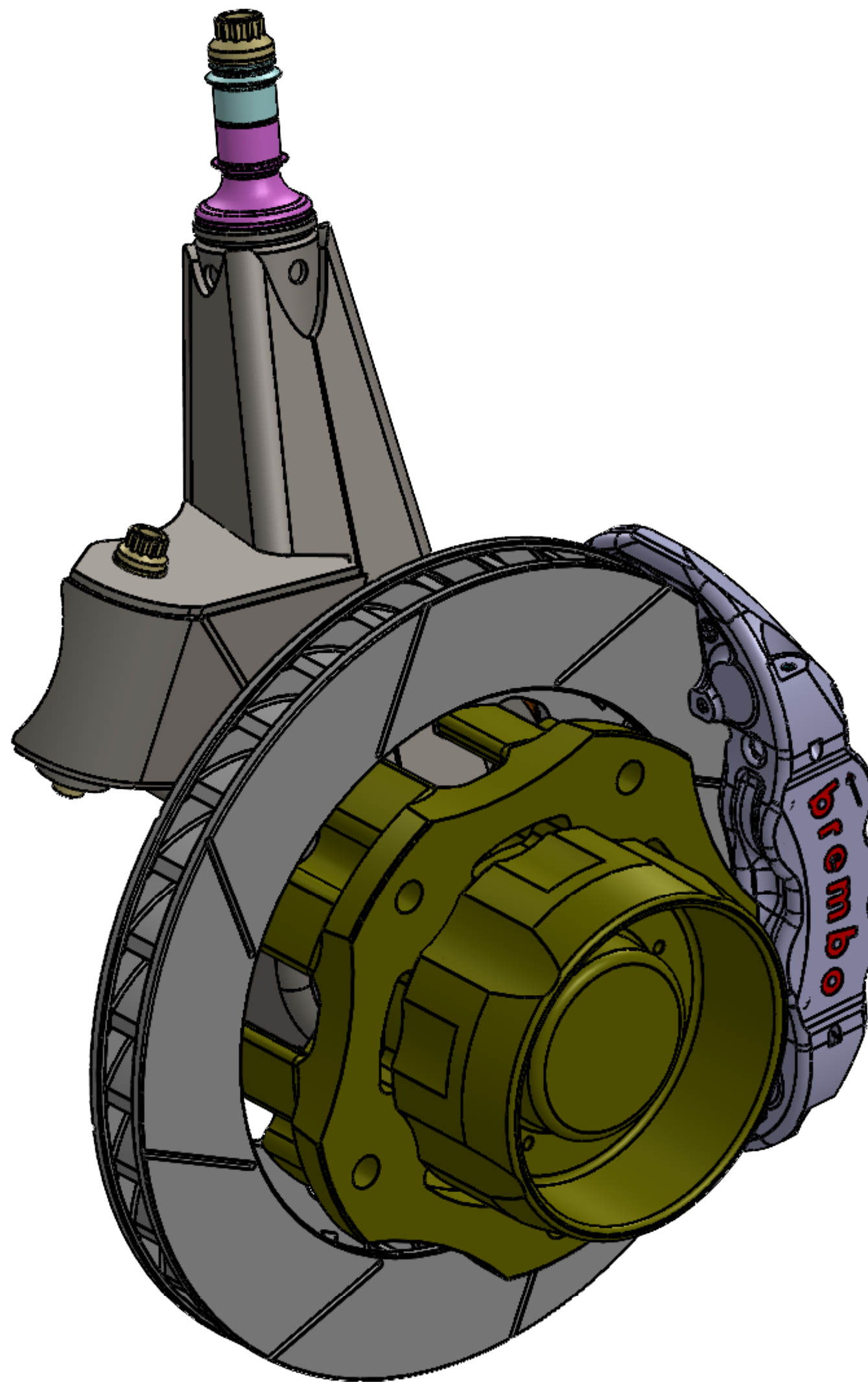


4

3

2

1



DISCLAIMER OF WARRANTY AND LIMITATION OF LIABILITY

Due to the intended use of high performance products, ID Designs and each part thereof, are sold "AS IS" and with all faults. To the fullest extent allowed by law, ID Designs makes NO written, oral, expressed, or implied statement of warranty or guarantee on any product or part sold. ID Designs will not be liable for any direct, indirect, incidental, consequential, or special damages, including but not limited to, damage, injury, loss of life, loss of property or equipment, loss of profits or revenue, or claims from any individual or entity arising from the use of any ID Designs product.

RACING IS A DANGEROUS ACTIVITY AND PURCHASERS OF ID DESIGNS PRODUCTS ACKNOWLEDGE THE INHERENT RISKS ASSOCIATED. ID DESIGNS MAKES NO REPRESENTATIONS THAT ITS PRODUCTS CAN REDUCE OR ELIMINATE ANY SUCH RISK. ID DESIGNS products are NOT FOR STREET, HIGHWAY, OR AIRCRAFT USE and are intended ONLY for race vehicles operated on race tracks with appropriate supervision of qualified technicians or mechanics to ensure that the safety needs of the race driver and others are met. ID Designs products could be combined with other products or parts which may not be suitable and could adversely affect performance of other race parts or the vehicle. The user shall determine the ultimate suitability and safety of the product for its intended use, and the user assumes all responsibility and risk in connection therewith.

PROPRIETARY AND CONFIDENTIAL
 THE INFORMATION CONTAINED IN THIS DRAWING IS THE SOLE PROPERTY OF ID DESIGNS. ANY REPRODUCTION IN PART OR AS A WHOLE WITHOUT THE WRITTEN PERMISSION OF ID DESIGNS IS PROHIBITED.

ID DESIGNS

2485 CORAL ST. UNIT A
 VISTA, CA 92081
 PH.760.727.9900
 E MAIL INFO@IDDESIGNS.NET

TITLE: JIMCO CLASS 1
 CHAMPION WITH 14 IN
 ROTOR PRO AM HUB AND
 4P BREMBO

SIZE	PART NO.	REV
C		
SCALE: 1:5	WEIGHT:	SHEET 1 OF 2

4

3

2

1

D

D

C

C

B

B

A

A

4

3

2

1

D

D

C

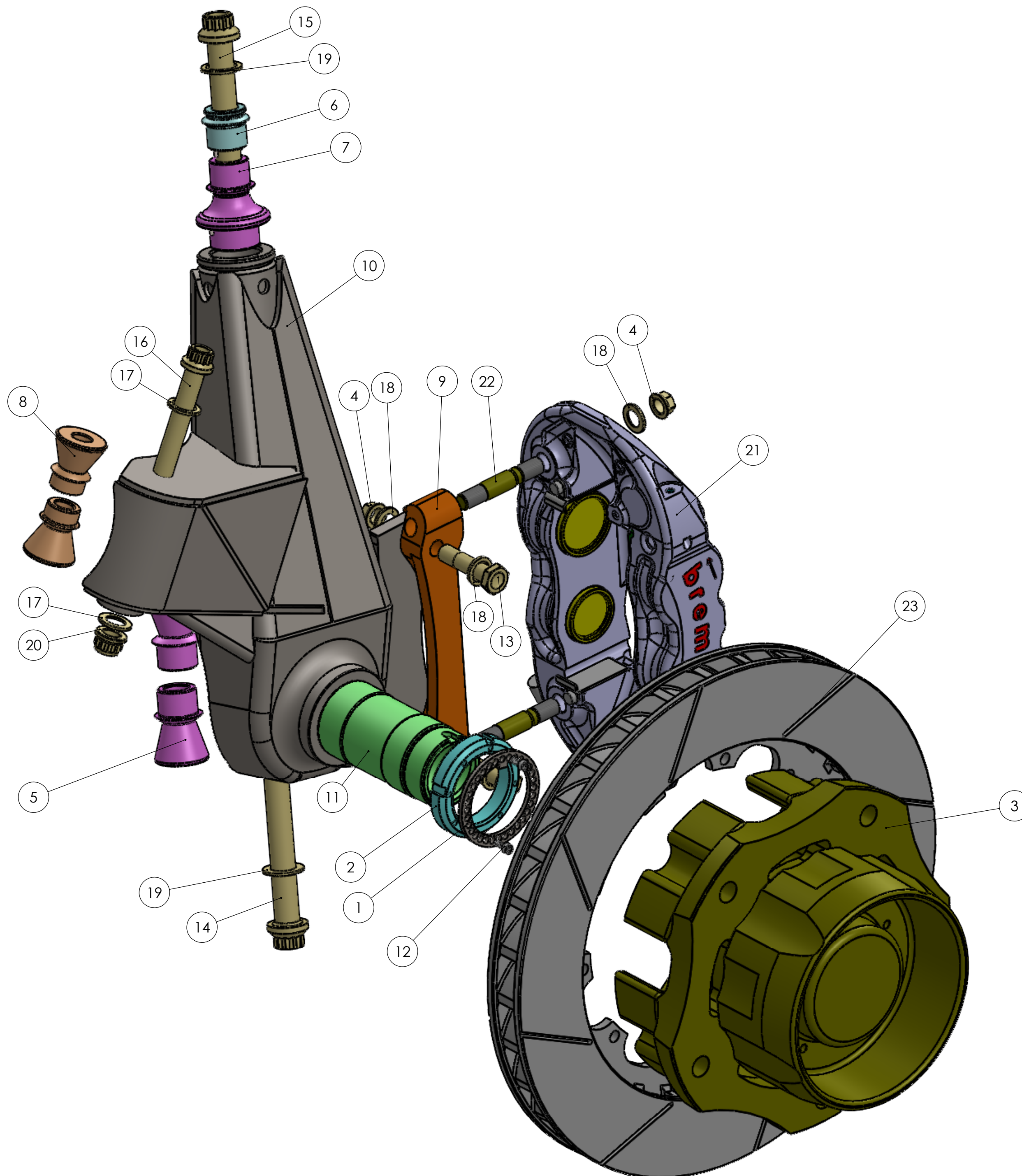
C

B

B

A

A



ITEM NO.	PART NUMBER	DESCRIPTION	QTY.
1	SPINDLE LOCK WASHER 10	SPINDLE LOCK WASHER 10	1
2	SPINDLE LOCK NUT N10	SPINDLE LOCK NUT N10, RIGHT HAND THREAD	1
3	PRO AM HUB WIDE 5 2.0	PRO AM 2.0 SNOUT, WIDE FIVE, HUB,CAP,	1
4	MS21042-NAS1291	7/16-20 JET NUT	4
5	IDD 14-1610-3.75	SPHERICAL SPACER, 16 BALL, 5/8 BOLT, 3.75 WIDE POCKET	2
6	IDD 14-1610 UPRIGHT PIN CAP ASSEMBLY	UPRIGHT PIN CAP ASSEMBLY, 16 BALL, 5/8 BOLT, 3/32 DOWEL PINS	1
7	IDD 14-1610 UPRIGHT PIN BASE ASSEMBLY	UPRIGHT PIN BASE ASSEMBLY, 16 BALL, REMOVABLE, 3/32 PINS	1
8	IDD 14-1408-2.875	SPHERICAL SPACER, 14 BALL, 1/2 BOLT, 2.875 WIDE POCKET	2
9	IDD 06-2001	CALIPER MOUNT ADAPTER. 180MM SPREAD, 6 IN CL MOUNTING	1
10	IDD 01-7006	JIMCO CHAMPION UPRIGHT WELDMENT BY IDDESIGNS	1
11	IDD 01-5006	2" PRESS IN SPINDLE SNOUT, JIMCO UPRIGHT, WIDE FIVE HUB	1
12	HRD SHCS 08-32-06 ZAS	SHCS 08-32 X 3/8 LONG, ZINC PLATED, ALLOY STEEL, 90128A192	2
13	HRD NAS1307-20	.4375-20 X 1.25 GRIP NAS1307-20	2
14	HRD MS21250 10070	.625-18 X 4.375 GRIP MS21250-10070	1
15	HRD MS21250 10052	.625-18 X 3.250 GRIP MS21250-10052	1
16	HRD MS21250 08054	.500-20 X 3.375 GRIP MS21250-08054	1
17	HRD MS20002C8	MS COUNTERSUNK WASHER 1/2	2
18	HRD MS20002C7	MS COUNTERSUNK WASHER 7/16	6
19	HRD MS20002C10	MS COUNTERSUNK WASHER 5/8	2
20	HRD 1804-08	1804-08, 1/2-20, 12 PT NUT	1
21	BREMBO XA5T003.4	4 PISTON CALIPER, MONOBLOC,	1
22	BREMBO 80080B	BREMBO CALIPER MOUNTING STUD, 12MM SHAFT, 7/16-20 BOTH ENDS	2
23	14 X 1.25 COLEMAN ROTOR CLASS 1 10 ON 8.0 BCD	14 X 1.25, 10 BOLT, 8.0 BCD, 5/16 BOLTS	1

ID DESIGNS

2485 CORAL ST. UNIT A
VISTA, CA 92081

PH.760.727.9900
E MAIL INFO@IDDESIGNS.NET

TITLE: JIMCO CLASS 1
CHAMPION WITH 14 IN
ROTOR PRO AM HUB
AND 4P BREMBO

PROPRIETARY AND CONFIDENTIAL
THE INFORMATION CONTAINED IN THIS
DRAWING IS THE SOLE PROPERTY OF
ID DESIGNS. ANY REPRODUCTION IN
PART OR AS A WHOLE WITHOUT THE
WRITTEN PERMISSION OF ID DESIGNS
IS PROHIBITED.

SIZE	PART NO.	REV
C		
SCALE: 1:5	WEIGHT:	SHEET 2 OF 2

4

3

2

1