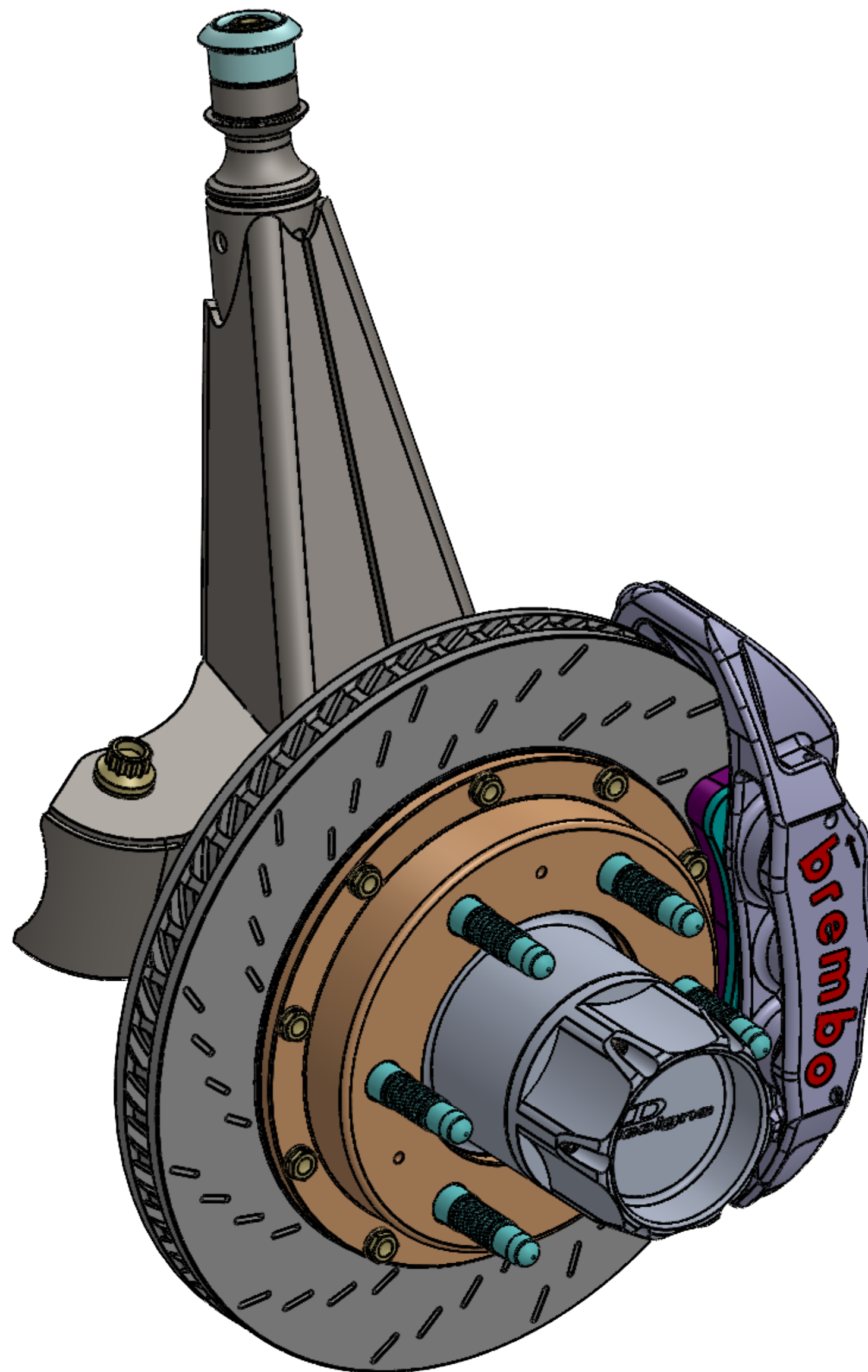


4

3

2

1



**DISCLAIMER OF WARRANTY AND LIMITATION OF LIABILITY**

Due to the intended use of high performance products, ID Designs and each part thereof, are sold "AS IS" and with all faults. To the fullest extent allowed by law, ID Designs makes NO written, oral, expressed, or implied statement of warranty or guarantee on any product or part sold. ID Designs will not be liable for any direct, indirect, incidental, consequential, or special damages, including but not limited to, damage, injury, loss of life, loss of property or equipment, loss of profits or revenue, or claims from any individual or entity arising from the use of any ID Designs product.

RACING IS A DANGEROUS ACTIVITY AND PURCHASERS OF ID DESIGNS PRODUCTS ACKNOWLEDGE THE INHERENT RISKS ASSOCIATED. ID DESIGNS MAKES NO REPRESENTATIONS THAT ITS PRODUCTS CAN REDUCE OR ELIMINATE ANY SUCH RISK. ID DESIGNS products are NOT FOR STREET, HIGHWAY, OR AIRCRAFT USE and are intended ONLY for race vehicles operated on race tracks with appropriate supervision of qualified technicians or mechanics to ensure that the safety needs of the race driver and others are met. ID Designs products could be combined with other products or parts which may not be suitable and could adversely affect performance of other race parts or the vehicle. The user shall determine the ultimate suitability and safety of the product for its intended use, and the user assumes all responsibility and risk in connection therewith.

**PROPRIETARY AND CONFIDENTIAL**  
 THE INFORMATION CONTAINED IN THIS DRAWING IS THE SOLE PROPERTY OF ID DESIGNS. ANY REPRODUCTION IN PART OR AS A WHOLE WITHOUT THE WRITTEN PERMISSION OF ID DESIGNS IS PROHIBITED.

**ID DESIGNS**

2485 CORAL ST. UNIT A  
 VISTA, CA 92081  
 PH.760.727.9900  
 E MAIL INFO@IDDESIGNS.NET

TITLE:  
**TSCO TROPHY TRUCK  
 UPRIGHT AND HUB  
 ASSEMBLY**

SIZE	PART NO.	REV
<b>C</b>		
SCALE: 1:5	WEIGHT:	SHEET 1 OF 2

4

3

2

1

D

D

C

C

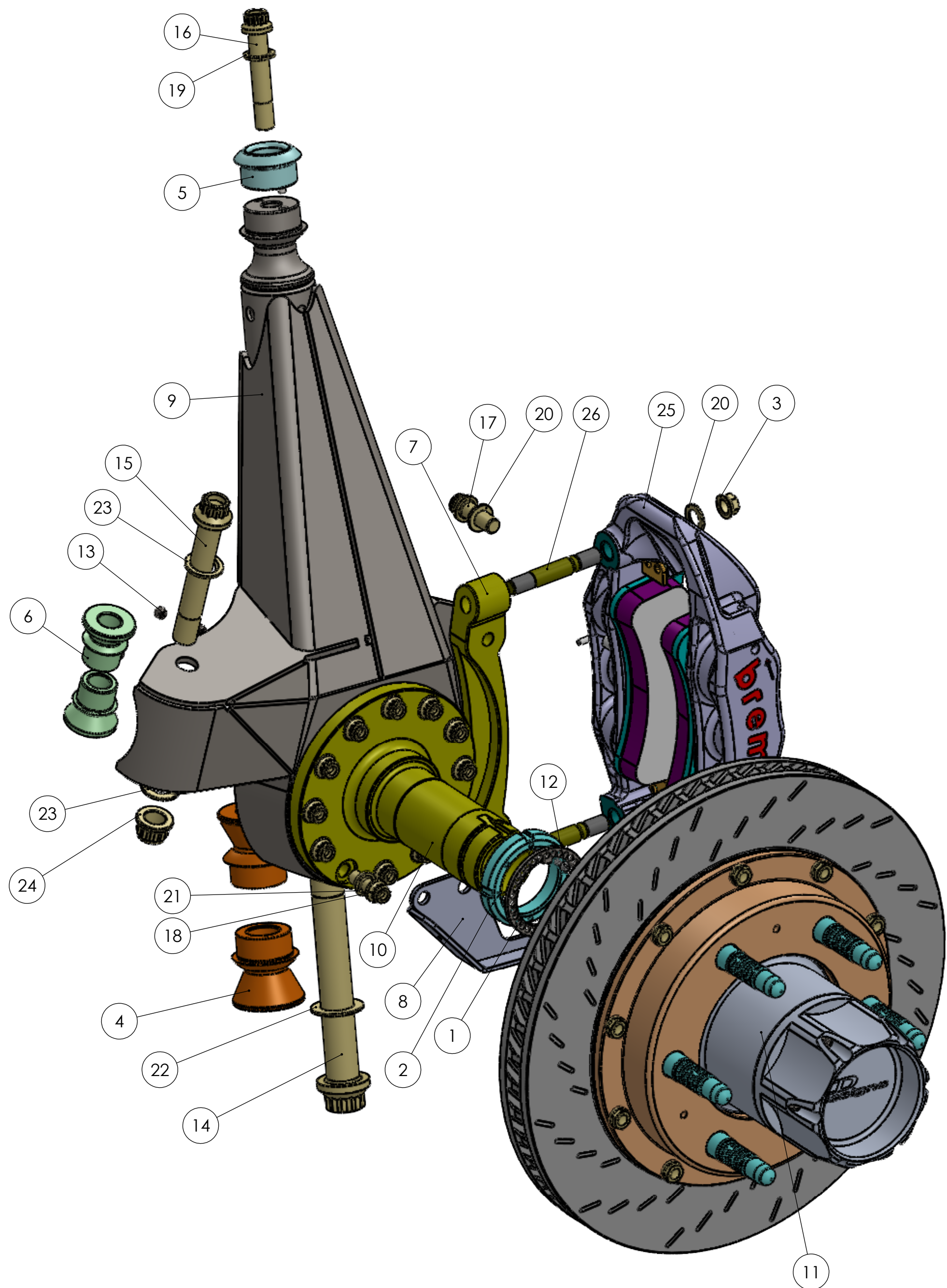
B

B

A

A





ITEM NO.	PART NUMBER	DESCRIPTION	QTY.
1	SPINDLE LOCK WASHER 10	SPINDLE LOCK WASHER 10	1
2	SPINDLE LOCK NUT N10	SPINDLE LOCK NUT N10, RIGHT HAND THREAD	1
3	MS21042-NAS1291	7/16-20 JET NUT	2
4	IDD 14-2414-4.0	SPHERICAL SPACER, 24 BALL, 7/8 BOLT, 4.00 WIDE POCKET	2
5	IDD 14-2408 CAP ASSEM	UPRIGHT CAP ASSEM, 24 BALL, 1/2 BOLT, 3/16 DOWEL PINS	1
6	IDD 14-1610-2.75	SPHERICAL SPACER, 16 BALL, 5/8 BOLT, 2.75 WIDE POCKET	2
7	IDD 06-2002	CALIPER ADAPTER, 210MM TO 6 IN CNC PATTERN	1
8	IDD 01-7005	TT UPRIGHT CALIPER GUARD	1
9	IDD 01-7003	TSCO TROPHY TRUCK UPRIGHT WELDMENT, T-SERIES	1
10	IDD 01-5003	SPINDLE SNOOT, 2.0 DIAMTER, ID TROPHY TRUCK, 12 ON 5.0 BCD, 3/8 BOLTS	1
11	IDD 01-4000	FRONT HUB ASSEM, TROPHY TRUCK, 6 ON 6.5, 2.0 SNOOT	1
12	HRD SHCS 08-32-06 ZAS	SHCS 08-32 X 3/8 LONG, ZINC PLATED, ALLOY STEEL, 90128A192	2
13	HRD SC 05-24-04 AS	SET SCREW, 5/16-24 X 1/4 LONG, ALLOY STEEL 91375A595	4
14	HRD MS21250 14084	.875-14 X 5.250 GRIP MS21250-14084	1
15	HRD MS21250 10052	.625-18 X 3.250 GRIP MS21250-10052	1
16	HRD MS21250 08032	.500-20 X 2.000 GRIP MS21250-08032	1
17	HRD MS21250 07008 DH	.4375-20 X 0.500 GRIP MS21250-07008 DRILLED HEAD	2
18	HRD MS21250 06006 DH	.375-24 X 0.375 GRIP MS21250-06006 DRILLED HEAD	12
19	HRD MS20002C8	MS COUNTERSUNK WASHER 1/2	1
20	HRD MS20002C7	MS COUNTERSUNK WASHER 7/16	4
21	HRD MS20002C6	MS COUNTERSUNK WASHER 3/8	12
22	HRD MS20002C14	MS COUNTERSUNK WASHER 7/8	1
23	HRD MS20002C10	MS COUNTERSUNK WASHER 5/8	2
24	HRD 1804-10	1804 5/8-18, 12 PT NUT	1
25	BREMBO XA5C201.2	6 PISTON CALIPER. MONO BLOCK, 28,30,38	1
26	BREMBO 80080C	CALIPER MOUNTING STUD, 12MM, 7/16-20 BOTH ENDS	2

**ID DESIGNS**  
 2485 CORAL ST. UNIT A  
 VISTA, CA 92081  
 PH.760.727.9900  
 E MAIL INFO@IDDESIGNS.NET

TITLE:  
**TSCO TROPHY TRUCK UPRIGHT AND HUB ASSEMBLY**

PROPRIETARY AND CONFIDENTIAL  
 THE INFORMATION CONTAINED IN THIS DRAWING IS THE SOLE PROPERTY OF ID DESIGNS. ANY REPRODUCTION IN PART OR AS A WHOLE WITHOUT THE WRITTEN PERMISSION OF ID DESIGNS IS PROHIBITED.

SIZE PART NO. REV  
**C**  
 SCALE: 1:5 WEIGHT: SHEET 2 OF 2