

DISCLAIMER OF WARRANTY AND LIMITATION OF LIABILITY

Due to the intended use of high performance products, ID Designs and each part thereof, are sold "AS IS" and with all faults. To the fullest extent allowed by law, ID Designs makes NO written, oral, expressed, or implied statement of warranty or guarantee on any product or part sold. ID Designs will not be liable for any direct, indirect, incidental, consequential, or special damages, including but not limited to, damage, injury, loss of life, loss of property or equipment, loss of profits or revenue, or claims from any individual or entity arising from the use of any ID Designs product.

RACING IS A DANGEROUS ACTIVITY AND PURCHASERS OF ID DESIGNS PRODUCTS ACKNOWLEDGE THE INHERENT RISKS ASSOCIATED. ID DESIGNS MAKES NO REPRESENTATIONS THAT ITS PRODUCTS CAN REDUCE OR ELIMINATE ANY SUCH RISK. ID DESIGNS products are NOT FOR STREET, HIGHWAY, OR AIRCRAFT USE and are intended ONLY for race vehicles operated on race tracks with appropriate supervision of qualified technicians or mechanics to ensure that the safety needs of the race driver and others are met. ID Designs products could be combined with other products or parts which may not be suitable and could adversely affect performance of other race parts or the vehicle. The user shall determine the ultimate suitability and safety of the product for its intended use, and the user assumes all responsibility and risk in connection therewith.

PROPRIETARY AND CONFIDENTIAL
 THE INFORMATION CONTAINED IN THIS DRAWING IS THE SOLE PROPERTY OF ID DESIGNS. ANY REPRODUCTION IN PART OR AS A WHOLE WITHOUT THE WRITTEN PERMISSION OF ID DESIGNS IS PROHIBITED.

ID DESIGNS

2485 CORAL ST. UNIT A
 VISTA, CA 92081
 PH.760.727.9900
 E MAIL INFO@IDDESIGNS.NET

TITLE:
**ID DESIGNS OUT BOARD
 CV REAR HUB, 934**

SIZE	PART NO.	REV
C	IDD-08-1000	
SCALE: 1:5	WEIGHT:	SHEET 1 OF 6

4

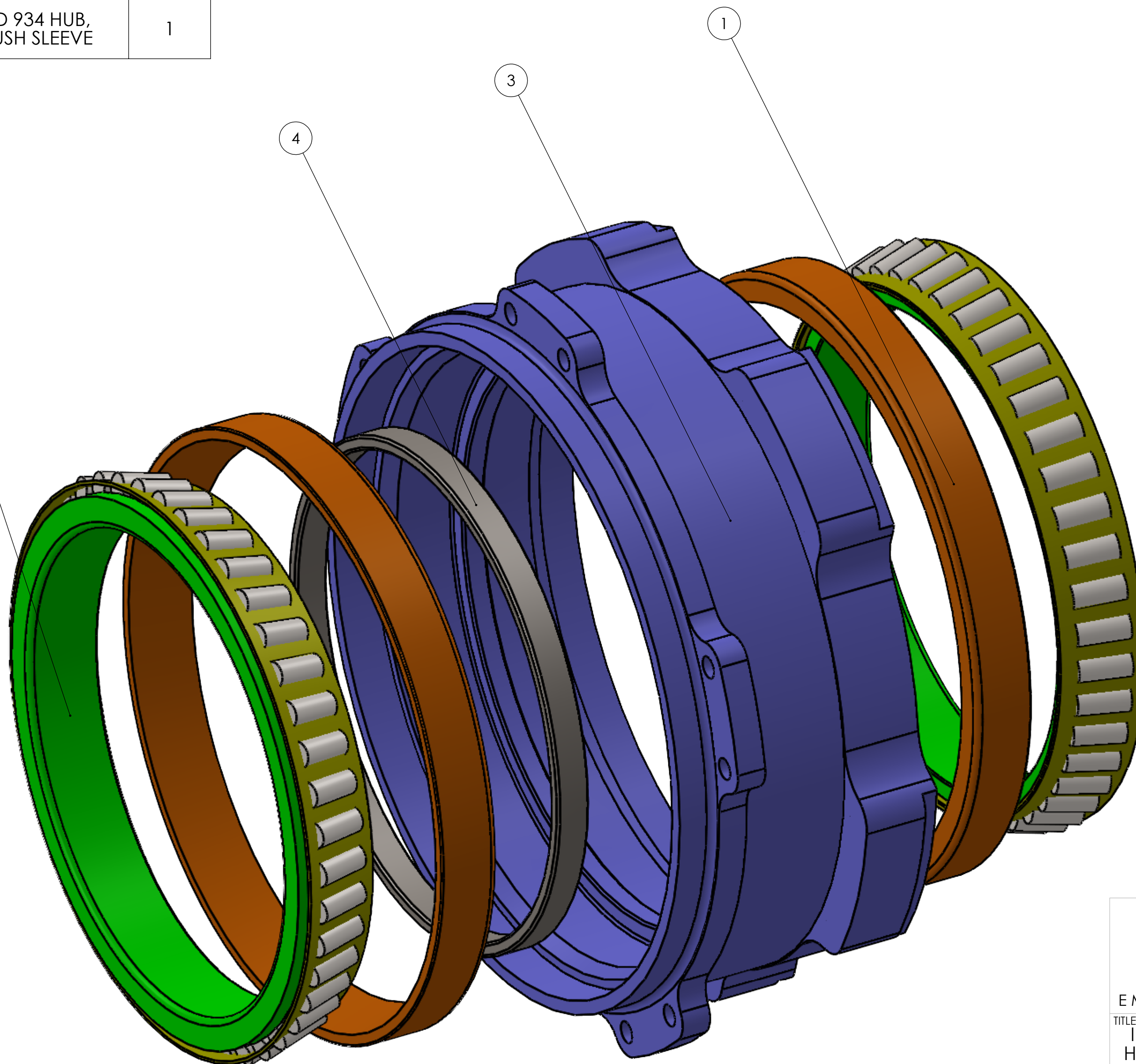
3

2

1

ITEM NO.	PART NUMBER	DESCRIPTION	QTY.
1	BEARING L630310	L630310 BEARING RACE, 7.5625 OD	2
2	BEARING L630349	L630349 BEARING CONE, 6.0 ID	2
3	IDD-08-1002	ID OUTBOARD 934 HUB, BEARING CARRIER	1
4	IDD-08-1005	ID OUTBOARD 934 HUB, BEARING CRUSH SLEEVE	1

HUB ASSEMBLY COMES WITH THE PRELOAD SET.



ID DESIGNS

2485 CORAL ST. UNIT A
VISTA, CA 92081
PH.760.727.9900
E MAIL INFO@IDDESIGNS.NET

TITLE:
**ID DESIGNS OUBOARD
HUB CARRIER ASSEMBLY**

PROPRIETARY AND CONFIDENTIAL
THE INFORMATION CONTAINED IN THIS
DRAWING IS THE SOLE PROPERTY OF
ID DESIGNS. ANY REPRODUCTION IN
PART OR AS A WHOLE WITHOUT THE
WRITTEN PERMISSION OF ID DESIGNS
IS PROHIBITED.

SIZE	PART NO.	REV
C	IDD-08-1000	
SCALE: 1:5	WEIGHT:	SHEET 2 OF 6

4

3

2

1

4

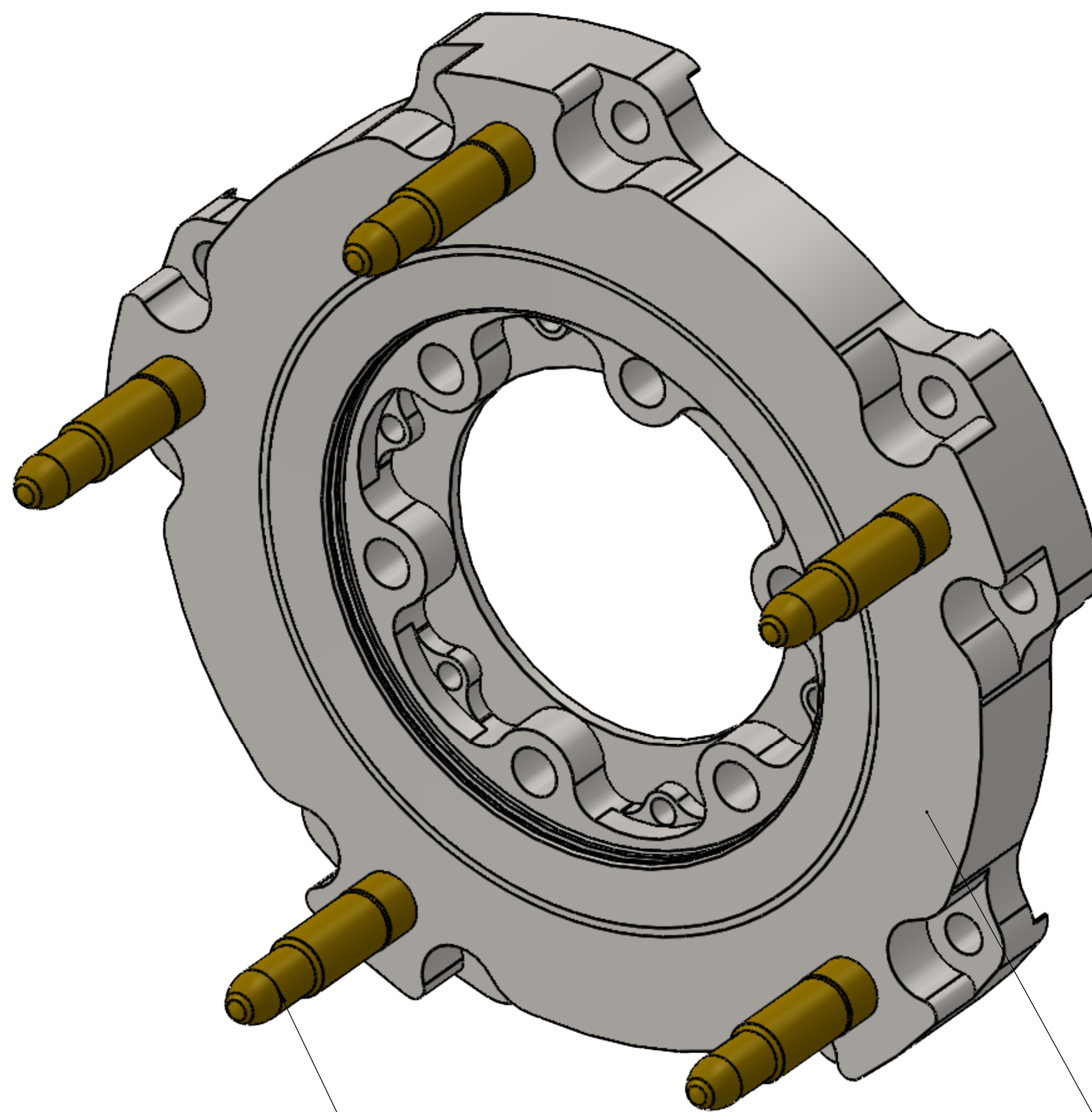
3

2

1

ITEM NO.	PART NUMBER	DESCRIPTION	QTY.
1	IDD-08-1006 R2	ID OUTBOARD 934 HUB, DRIVE PLATE, 934 CV, REV 2	1
2	WHEEL STUD 14MM WIDE 5	ID DESIGNS WIDE 5 WHEEL STUD, .5625 SHANK, M14 X 1.5	5

DRIVE FLANGE COMES PREASSEMBLED.



1

2

ID DESIGNS

2485 CORAL ST. UNIT A
VISTA, CA 92081

PH.760.727.9900

E MAIL INFO@IDDESIGNS.NET

TITLE:
**ID DESIGNS OUTBOARD
HUB DRIVE FLANGE
ASSEMBLY**

PROPRIETARY AND CONFIDENTIAL
THE INFORMATION CONTAINED IN THIS
DRAWING IS THE SOLE PROPERTY OF
ID DESIGNS. ANY REPRODUCTION IN
PART OR AS A WHOLE WITHOUT THE
WRITTEN PERMISSION OF ID DESIGNS
IS PROHIBITED.

SIZE PART NO. REV

C **IDD-08-1000**

SCALE: 1:2 WEIGHT: SHEET 3 OF 6

4

3

2

1

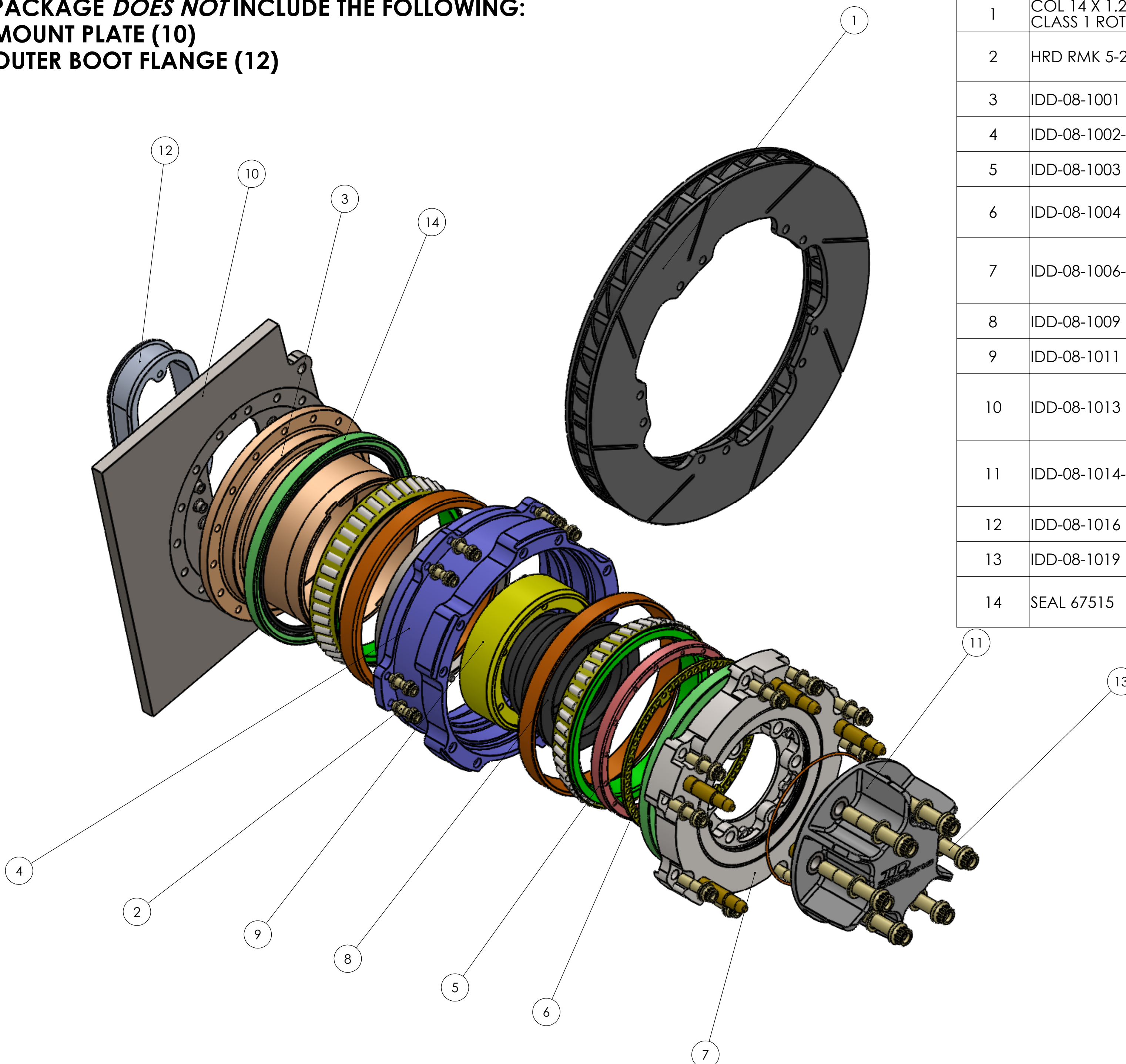
4

3

2

1

**PACKAGE DOES NOT INCLUDE THE FOLLOWING:
MOUNT PLATE (10)
OUTER BOOT FLANGE (12)**



ITEM NO.	PART NUMBER	DESCRIPTION	QTY.
1	COL 14 X 1.25 CLASS 1 ROTOR	14 X 1.25 COLEMAN ROTOR, CLASS 1	1
2	HRD RMK 5-24-4-12P	ROTOR MOUNT KIT, HUB CARRIER TO ROTOR, .25 GRIP, 12 POINT	1
3	IDD-08-1001	ID OUTBOARD 934 HUB, SPINDLE SNOOT	1
4	IDD-08-1002-A	ID DESIGNS OUBOARD HUB CARRIER ASSEMBLY	1
5	IDD-08-1003	ID OUTBOARD 934 HUB, SPINDLE NUT	1
6	IDD-08-1004	ID DESIGNS OUTBOARD HUB, 934, HUB NUT LOCK WASHER	1
7	IDD-08-1006-A	ID DESIGNS OUTBOARD HUB DRIVE FLANGE ASSEMBLY	1
8	IDD-08-1009	ID DESIGNS OUTBOARD HUB, INNER CV-BOOT	1
9	IDD-08-1011	ID OUTBOARD 934 HUB, INNER CV BOOT RETAINER	1
10	IDD-08-1013	ID DESIGNS OUTBOARD HUB GENERIC MOUNT PLATE	1
11	IDD-08-1014-A	ID DESIGNS OUTBOARD HUB, 934 HUB CAP ASSEMBLY	1
12	IDD-08-1016	ID DESIGNS OUTBOARD HUB, OUTER BOOT FLANGE	1
13	IDD-08-1019	ID DESIGNS OUTBOARD HUB HARDWARE KIT	1
14	SEAL 67515	8.0 OD X 6.75 ID X .500 THICK, NITRILE, HEAVY DUTY CAGE, SINGLE LIP	2

ID DESIGNS
 2485 CORAL ST. UNIT A
 VISTA, CA 92081
 PH.760.727.9900
 E MAIL INFO@IDDESIGNS.NET
 TITLE:
**ID DESIGNS OUT BOARD
 CV REAR HUB, 934**

PROPRIETARY AND CONFIDENTIAL
 THE INFORMATION CONTAINED IN THIS DRAWING IS THE SOLE PROPERTY OF ID DESIGNS. ANY REPRODUCTION IN PART OR AS A WHOLE WITHOUT THE WRITTEN PERMISSION OF ID DESIGNS IS PROHIBITED.

SIZE	PART NO.	REV
C	IDD-08-1000	
SCALE: 1:10	WEIGHT:	SHEET 4 OF 6

4

3

2

1

D

D

C

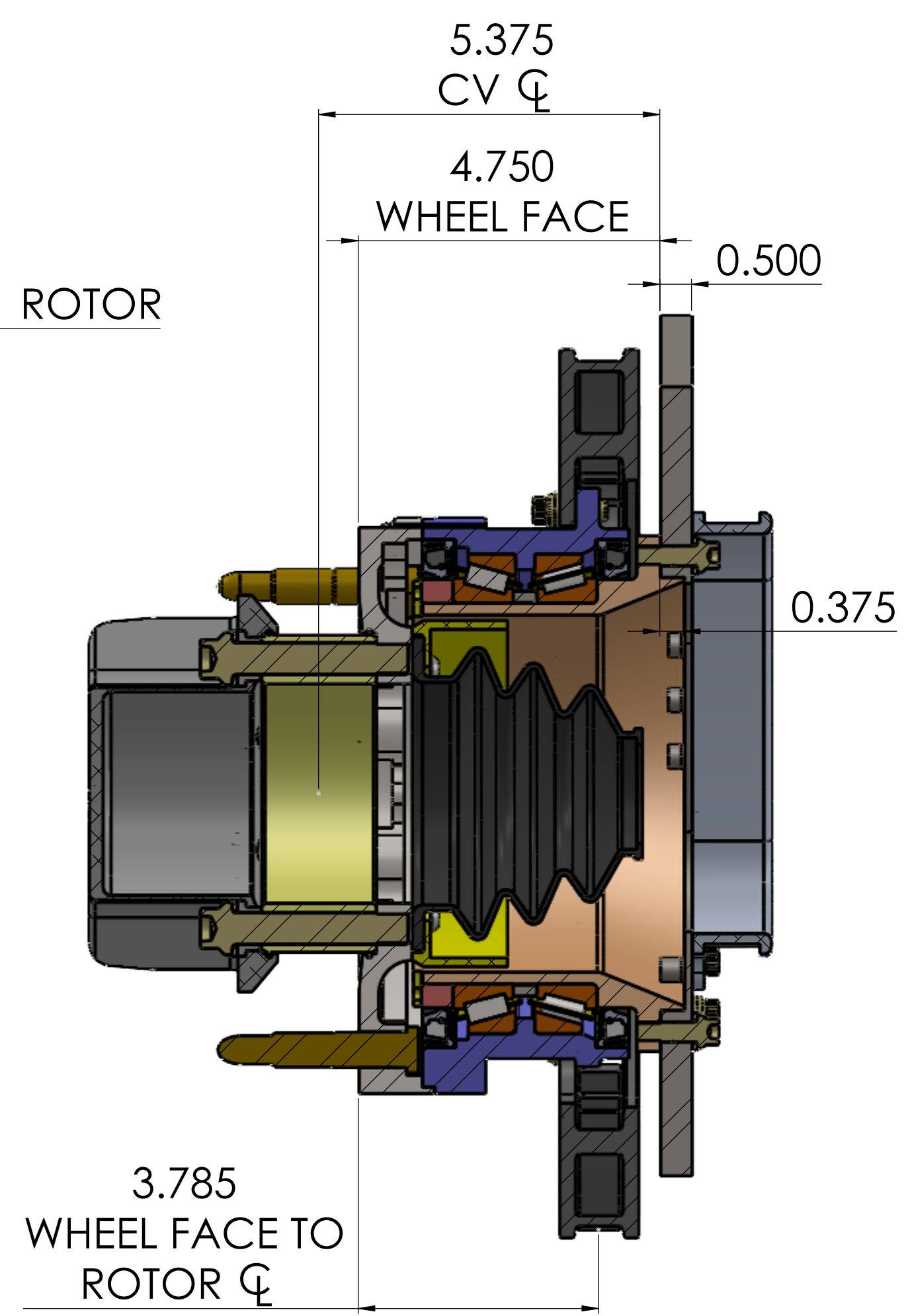
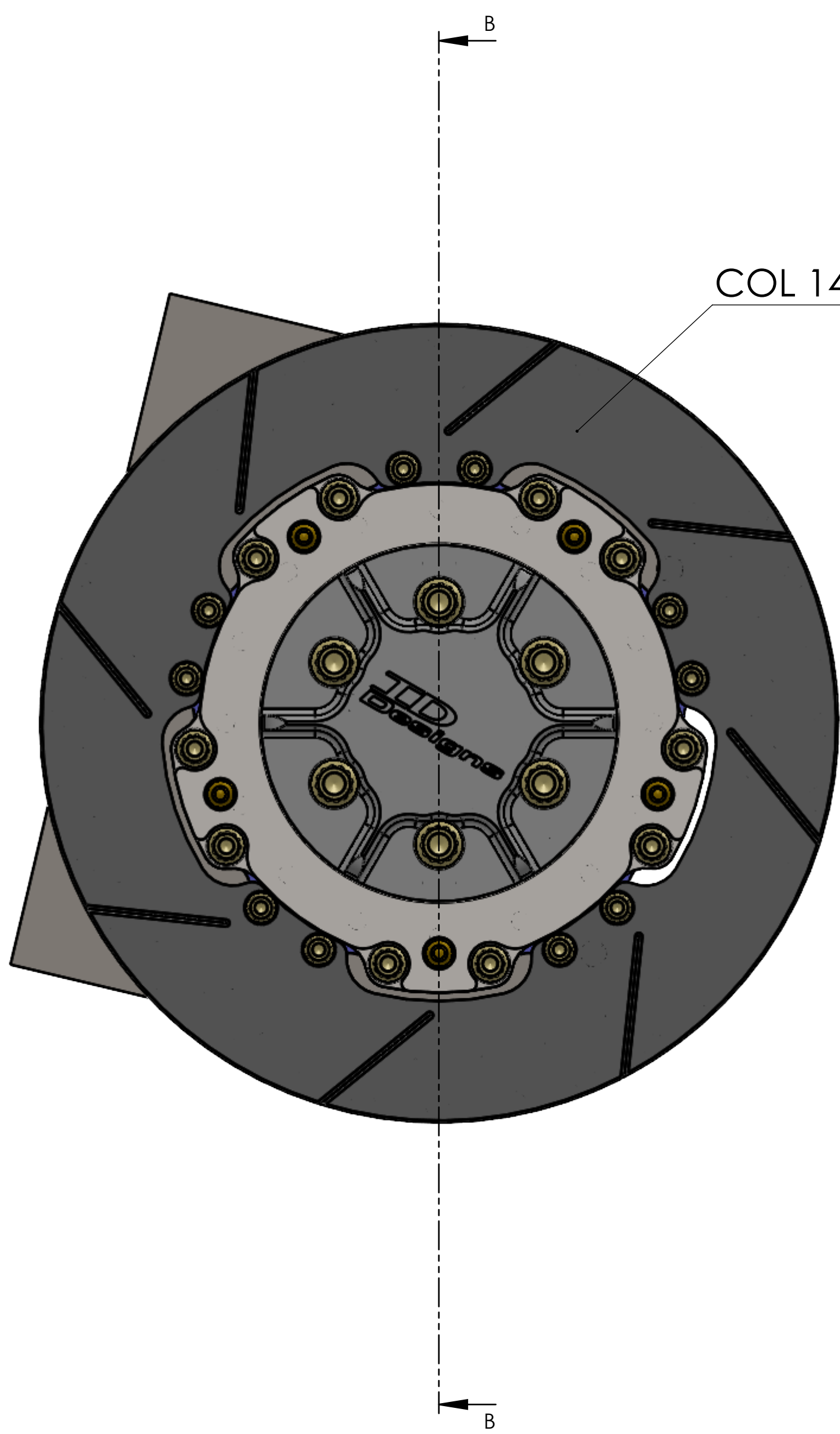
C

B

B

A

A



SECTION B-B
SCALE 1 : 2

ID DESIGNS
 2485 CORAL ST. UNIT A
 VISTA, CA 92081
 PH.760.727.9900
 E MAIL INFO@IDDESIGNS.NET
 TITLE:
 ID DESIGNS OUT BOARD
 CV REAR HUB, 934

PROPRIETARY AND CONFIDENTIAL
 THE INFORMATION CONTAINED IN THIS
 DRAWING IS THE SOLE PROPERTY OF
 ID DESIGNS. ANY REPRODUCTION IN
 PART OR AS A WHOLE WITHOUT THE
 WRITTEN PERMISSION OF ID DESIGNS
 IS PROHIBITED.

SIZE	PART NO.	REV
C	IDD-08-1000	
SCALE: 1:5	WEIGHT:	SHEET 5 OF 6

4

3

2

1

4

3

2

1

D

D

16 X 0.3125 ON ϕ 7.50 BCD

C

C

6.875

B

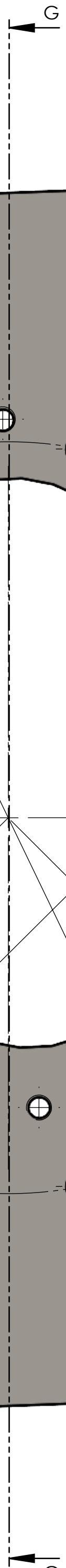
B

4.869

A

A

.0605 DEPTH OF STEP



0.385
BORE DEPTH

6.817
PLATE BORE

SECTION G-G
SCALE 1 : 1

ID DESIGNS

2485 CORAL ST. UNIT A
VISTA, CA 92081
PH.760.727.9900
E MAIL INFO@IDDESIGNS.NET

TITLE:
ID DESIGNS OUTBOARD
HUB GENERIC MOUNT
PLATE

PROPRIETARY AND CONFIDENTIAL
THE INFORMATION CONTAINED IN THIS
DRAWING IS THE SOLE PROPERTY OF
ID DESIGNS. ANY REPRODUCTION IN
PART OR AS A WHOLE WITHOUT THE
WRITTEN PERMISSION OF ID DESIGNS
IS PROHIBITED.

SIZE	PART NO.	REV
C	IDD-08-1000	
SCALE: 1:5	WEIGHT: 12.35	SHEET 6 OF 6